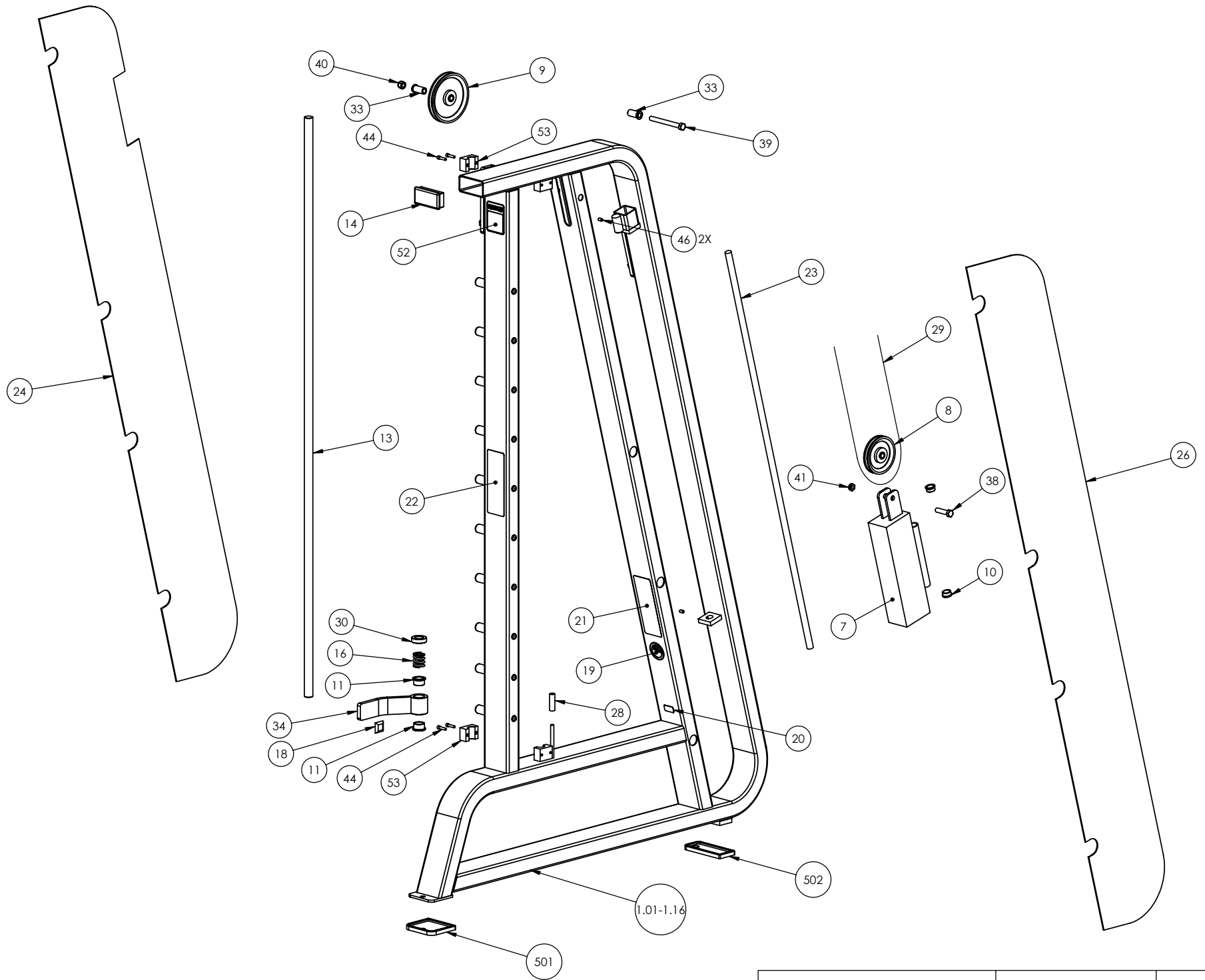
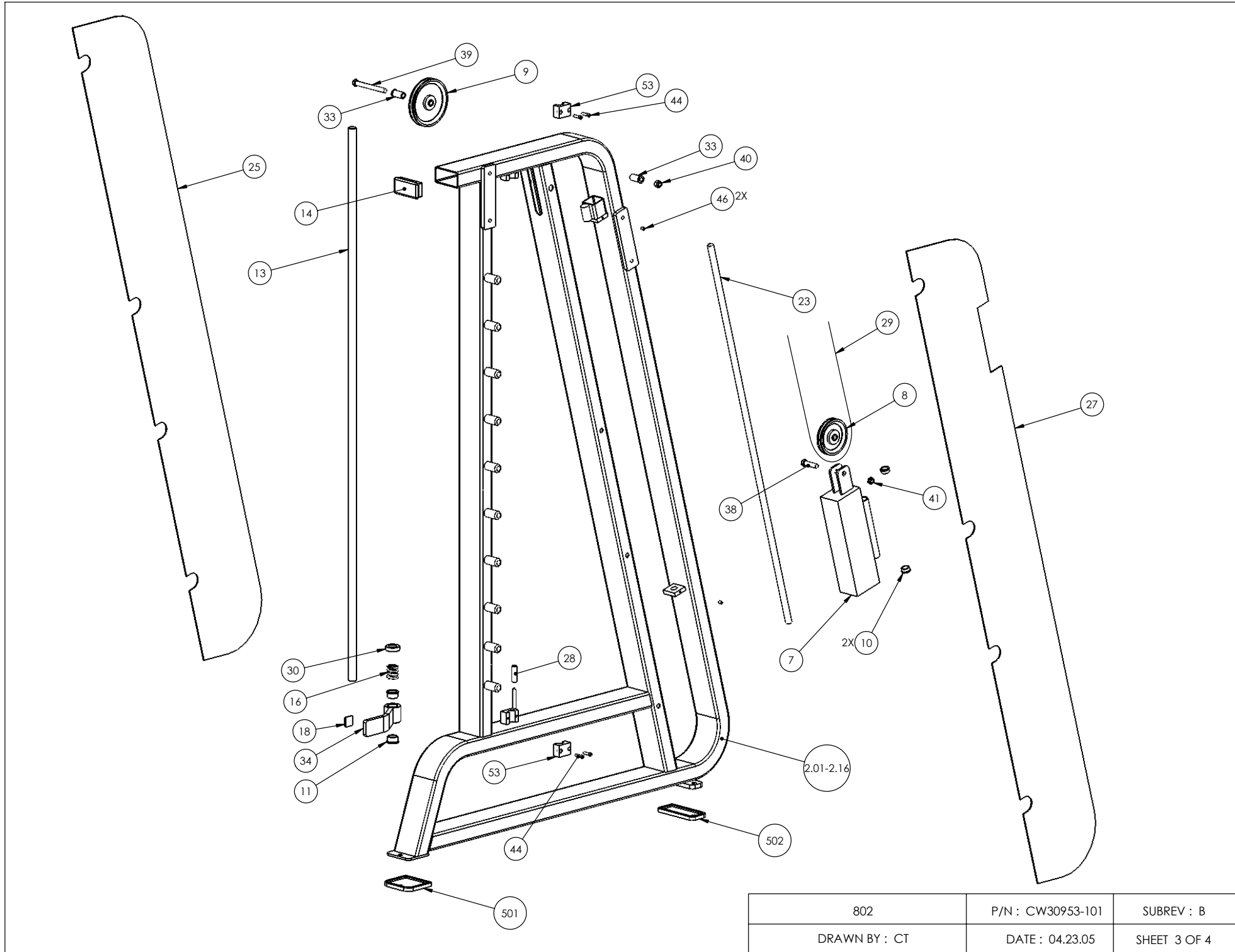


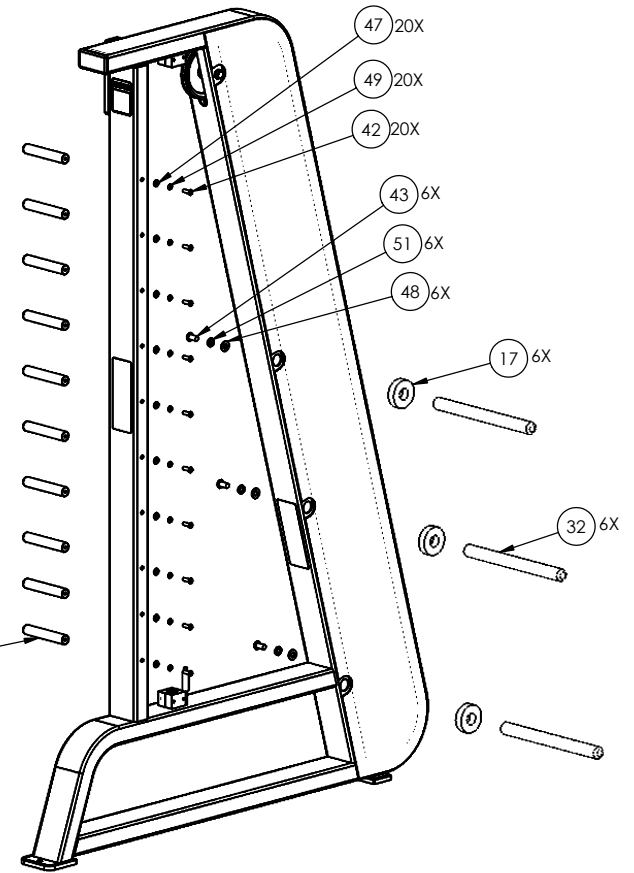
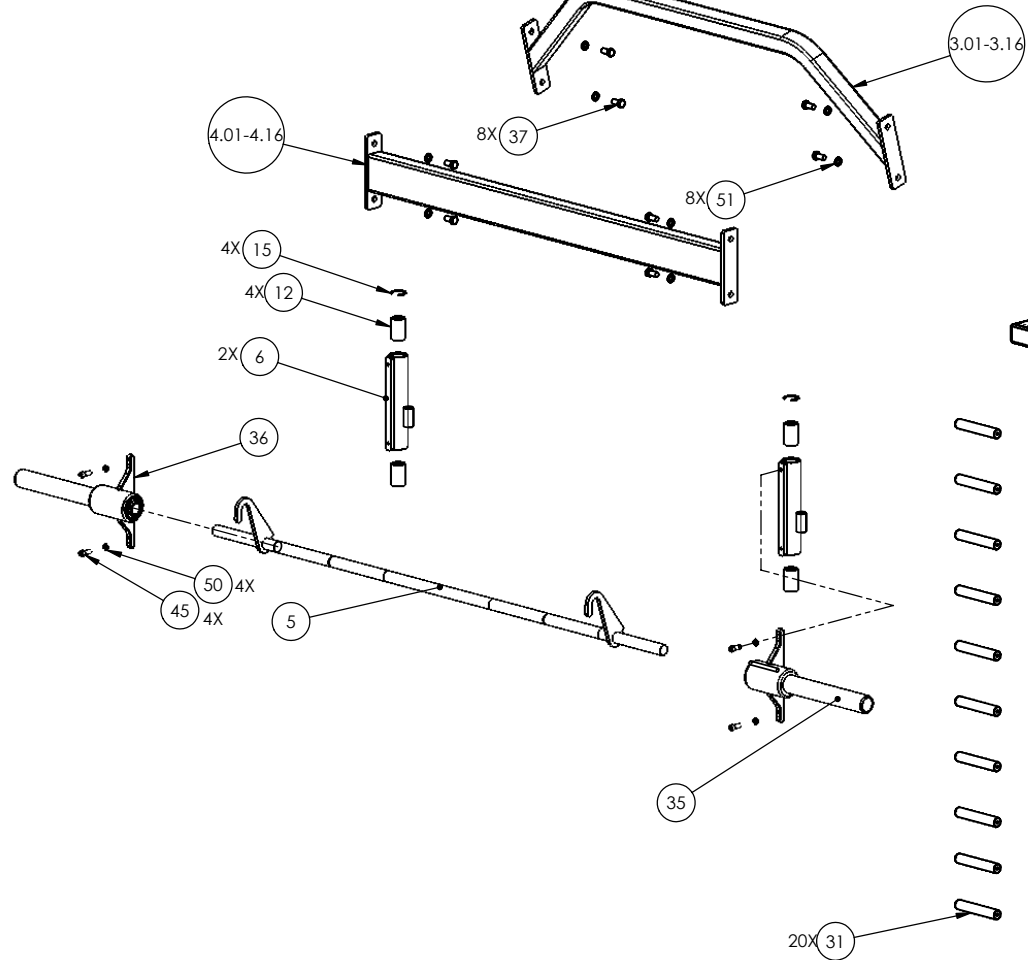
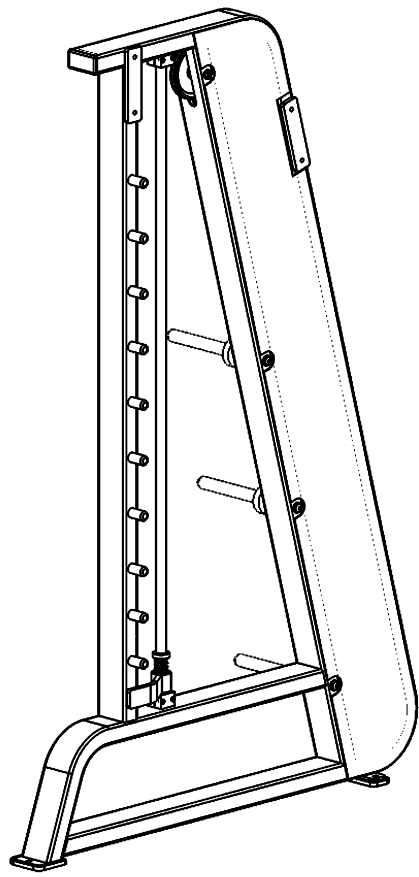
802	P/N : CW30953-101	SUBREV : B
DRAWN BY : CT	DATE : 04.23.05	SHEET 1 OF 4



802	P/N : CW30953-101	SUBREV : B
DRAWN BY : CT	DATE : 04.23.05	SHEET 2 OF 4



802	P/N : CW30953-101	SUBREV : B
DRAWN BY : CT	DATE : 04.23.05	SHEET 3 OF 4



**COMPONENTS OMITTED
FOR CLARITY**

802	P/N : CW30953-101	SUBREV : B
DRAWN BY : CT	DATE : 04.23.05	SHEET 4 OF 4

802 Smith Machine

Part Number	Description	Bubble Number
CW802SA1L-211	ASSY,FRAME,LEFT,802,SKY WHITE	1.01
CW802SA1L-311	ASSY,FRAME,LEFT,802,STONE HG	1.11
CW802SA1L-321	ASSY,FRAME,LEFT,802,TITANIUM HG	1.12
CW802SA1R-211	ASSY,FRAME,RIGHT,802,SKY WHITE	2.01
CW802SA1R-311	ASSY,FRAME,RIGHT,802,STONE HG	2.11
CW802SA1R-321	ASSY,FRAME,RIGHT,802,TITANIUM HG	2.12
CW802SA2-211	ASSY,BENT STRUT,802,SKY WHITE	3.01
CW802SA2-311	ASSY,BENT STRUT,802,STONE HG	3.11
CW802SA2-321	ASSY,BENT STRUT,802,TITANIUM HG	3.12
CW802SA3-211	ASSY,STRAIGHT STRUT,802,SKY WHITE	4.01
CW802SA3-321	ASSY,STRAIGHT STRUT,802,TITANIUM HG	4.12
CW802SA4-731	ASSY,OLYMPIC BAR,BLK ZN	5
CW802SA5-721	ASSY,BARREL HOUSING,WRKL BLK	6
CW802SA6-721	ASSY, COUNTERWEIGHT, 3" THICK, WRKL	7
CWAC1009-101	PULLEY, 4 1/2 DIA X 1/2 ID	8
CWAC1010-101	PULLEY, 6 DIA X 1/2 ID	9
CW35133-101	BUSHING, BRONZE, 3/4" ID X 1" OD, A	10
CW10043-134	BUSHING, BRONZE, 1" ID X 1 1/4" OD	11
CW12571-101	LINEAR BEARING, CLOSED TYPE, 1.000/	12
CWPF3500-901	GUIDE ROD,STEEL,OD 1.0 X 70.5 CASE	13
CW11311-102	ENDCAP, REC TUBE, 2X4, BLK PLASTIC	14
CWACHN125-006	SNAP RING RETAINER,(SUPER 16)	15
CWAC1135-731	SPRING, COMPRESSION, 1 9/32 OD X 1	16
CW12402-101	BUMPER, ID 1.050, BLK RUBBER	17
CW12575-101	MOULDED BUMPON, BLACK, 31.75MM SQ (18
CW34822-101	LABEL, "ASSEMBLED IN THE USA"	19
CWAC1183-101	LABEL, WARNING, SERIOUS INJURY	21
CWAC1248-101	LABEL,"WARNING,SQUAT EXERCISE"	22
CWPF1214-711	GUIDE ROD,STEEL,OD 3/4 X 52 5/8, CH	23
CWCP1150-101	CUT ABS SHEET, 802 LEFT INNER SHROU	24
CWCP1150-102	CUT ABS SHEET, 802 RIGHT INNER SHRO	25
CW30518-101	CUT ABS SHEET, 802 LEFT OUTER SHROU	26
CW30519-101	CUT ABS SHEET, 802 RIGHT OUTER SHRO	27
CW10340-200	TUBE, VINYL, 5/8 OD X 3/8 ID X 2.0	28
CWCLGG102-000	ASSY, CABLE, 802	29
CWPF1238-731	TUBE,STEEL RND DOM 1 3/4 OD X 1 ID	30
CWPF1247-741	BAR,STEEL, RND, DIA 1" X (5 7/8), T	31
CWPF1468-741	BAR,STEEL RND, DIA 1 1/4" X (14), 1	32
CWPF3186-741	BAR,STEEL, RND, DIA. 1" X (1 1/2),	33
CWSA1107-721	ASSY,SWIVEL STOP	34
CWSA1113-741	ASSY,CUSTOM WEIGHT BAR,LEFT,802, CL	35
CWSA1114-741	ASSY,CUSTOM WEIGHT BAR,RIGHT,802, C	36
CWHCYN050-100	SCREW,HEX HEAD,BLK XYLAN,1/2-13 X 1	37
CWHCYN050-200	SCREW, HEX HEAD, BLK XYLAN, 1/2-13	38
CWHCYN050-500	SCREW, HEX HEAD, BLK XYLAN, 1/2-13	39
CWKDYN050-059	LOCKNUT, NYLON INSERT, FULL, UNC, 1	40
CWKAYN050-031	LOCKNUT, NYLON INSERT, HALF, UNC, 1	41
CWTAYN031-100	SCREW, BUTTON HEAD, BLK XYLAN, 5/16	42

CWTAYN050-100	SCREW, BUTTON HEAD, BLK XYLAN, 1/2	43
CWCAYN025-100	SCREW, SOCKET HEAD, BLK XYLAN, 1/4	44
CWCAYN038-100	SCREW, SOCKET HEAD, BLK XYLAN, 3/8	45
CWEANN031-050	SCREW, SET, SCKT, CUP POINT, 5/16-18 X	46
CWWBKN031-007	WASHER, FLAT, TYPE A, SAE, 5/16 ID	47
CWWBKN050-010	WASHER, FLAT, TYPE A, SAE, 1/2 ID X	48
CWWALYN031-008	WASHER, SPLIT, 5/16 ID, BL	49
CWWALYN038-009	WASHER, SPLIT, 3/8 ID, BLK XYLAN	50
CWWALYN050-013	WASHER, SPLIT, 1/2 ID, BLK XYLAN	51
CW31759-101	LABEL, SMALL PRECOR USA ICARIAN LIN	52
CWPF1472-311	SHAFT COLLAR, SQR BLOCK, 1-1/2 X 1 X	53
CWAC1177-101	FLOOR PROTECTOR, RUBBER, 4.563 X 4.	501
CWAC1178-101	FLOOR PROTECTOR, RUBBER, 2.563 X 6.	502